

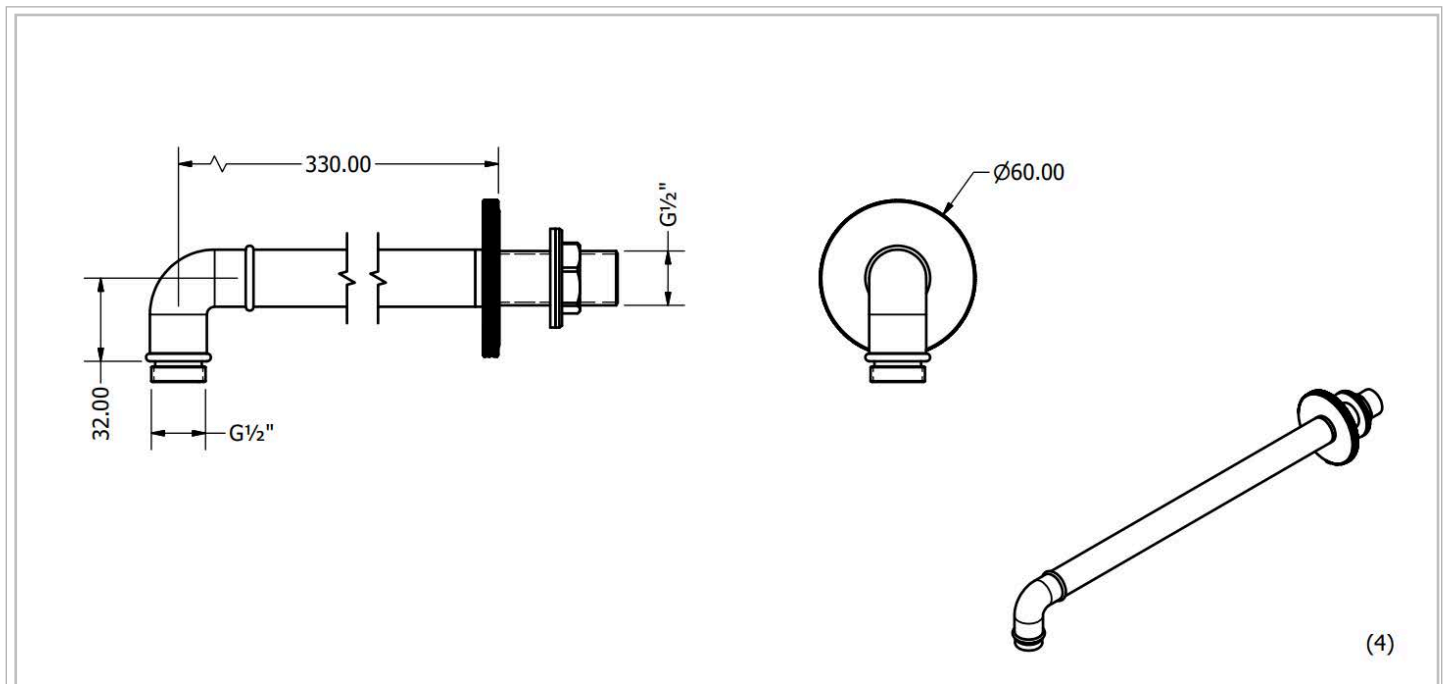
RANGE	INSTALLATION TYPE	PRODUCT DESCRIPTION
MPro Industrial	Wall	Industrial shower arm

CODE			
PRI684UB			

FINISH	APPLICATION	MIN PRESSURE
Unlacquered Brushed Brass	Unlacquered Brass	Na



HEADWORK	Na
CONNECTIONS	G1/2"
UK APPROVALS	Na
OTHER APPROVALS	Na
WARRANTY*	15 Years



(4)